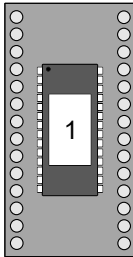


FIRST LINE OF DEFENCE

M60

Version 6

CHANGING SPEECH CHIPS



Compatible with: M60 Ultimate, M60V5

Alarm Dialler

Preparation



Preparing to change Speech chips

We advise that before proceeding with the replacement of the M60 Speech chip(s), that the person who will be carrying out the replacement is competent in working with electronic equipment.

Although there is no technical knowledge required to carry out the replacement of the Speech chips, a familiarity with working with electronic equipment is advisable.



-
- If possible wear a grounding strap, otherwise it is advised that you ground yourself before continuing.
-

Important:

Please remember to return your existing Speech chip PCB(s) to:

.....

Packs Infotel Limited

1 Broomfield Hall Buildings
London Road
Sunningdale
Berkshire
SL5 0DP
United Kingdom

Accessing the M60 CPU



How to access the M60 CPU board

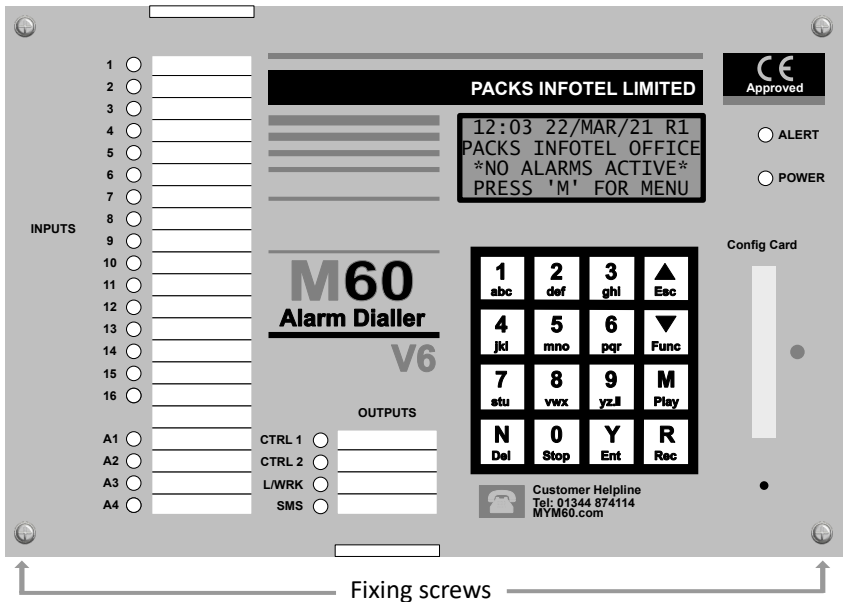
The Speech chip(s) Printed circuit board (PCB) are fitted on the M60 CPU board. The CPU board is piggybacked to the Membrane (front Panel) as shown in diagram 1.

To access the M60 CPU board:

1. Undo the four (4) fixing screws found in each corner of the membrane.
2. Carefully pull the membrane towards yourself to reveal the M60 CPU piggybacked to the membrane.

Be careful not to tug on the ribbon cable that connects the M60 CPU to the M60 Power supply unit (PSU)

Diagram 1



Locating Speech chips



How to locate existing speech chip(s)

After accessing the M60 CPU, Look towards the bottom left of the PCB to locate the existing Speech chip(s).



- If you have never had the Speech chips replaced before, your existing Speech chips will NOT have any labels attached.
-

If you are confident with electronic equipment, the next part can be made easier by disconnecting the 50 way ribbon cable from the CPU board, thus allowing the CPU to be placed on a flat surface to work on.



- If you are not confident with electronic equipment, you may find the replacement of the Speech chips easier if you have help from someone to hold the CPU, whilst you work.
-

Once access to the Speech chip(s) has been achieved, read the following page carefully.

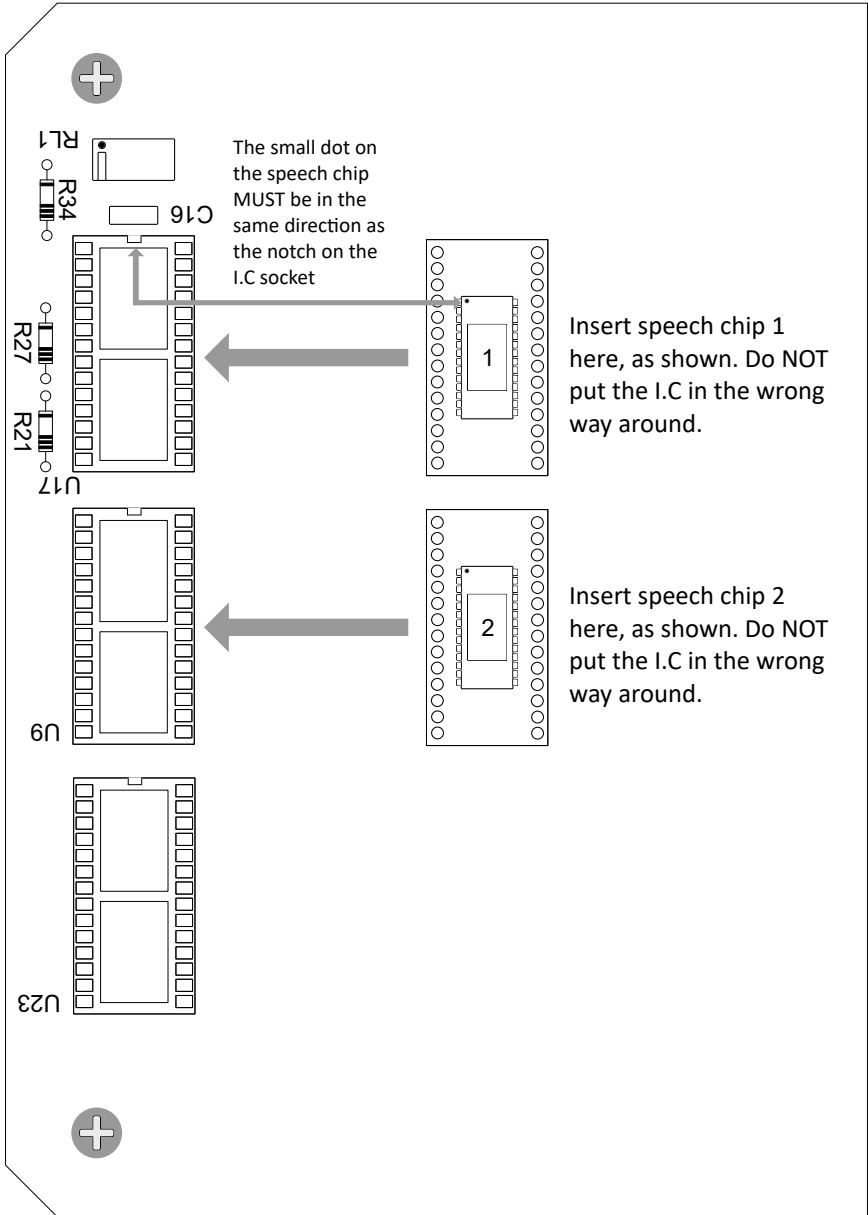
Changing Speech chips



How to change existing speech chip(s)

1. Before removing the existing Speech chip(s) PCB, look closely and you will see on the PCB the wording 'Packs Infotel Ltd'. Look very carefully at the I.C on the Speech chip PCB and you will see in the top left of the I.C a small dot, as show in the diagram on the left. The replacement Speech chip PCB **MUST** be fitted in the same direction. Failure to do so will damage the Speech chip beyond repair.
2. Remove the existing Speech chip PCB from the I.C socket using a screwdriver. Place the screwdriver under the existing speech chip PCB and carefully lever the speech chip PCB from the I.C socket.
3. Once the existing Speech chip(s) PCB has/have been removed, take the replacement Speech chip(s) PCB and fit as shown in the diagram 2. Ensure the pins are all aligned and fully inserted into the respective socket.
4. If you were supplied with two (2) Speech chip PCBs, they will be labelled 1 & 2. The labelled Speech chip PCBs **MUST** be fitted in the I.C Sockets shown in diagram 2.

Diagram 2



TOP REAR LEFT (SIDE A)